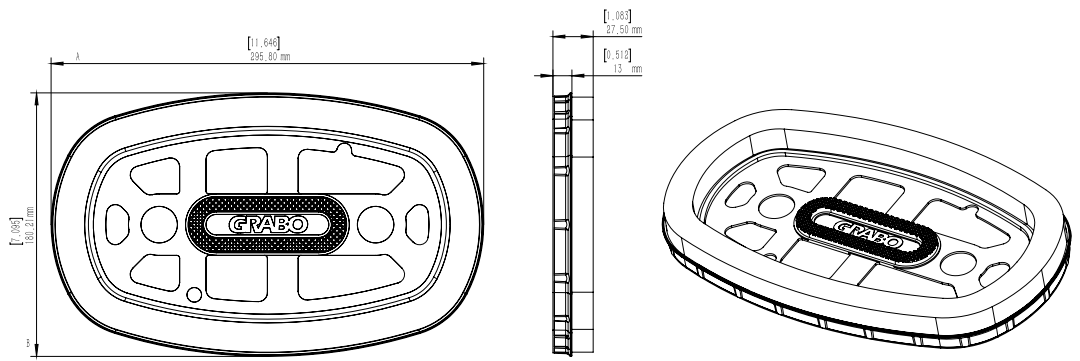


ROCK SEAL HEAVY LIFTING MADE EASY



Specifications:

Material	Laminated SBR rubber foam sponge
Color	Black
L x W x H	11.5 x 6.9 x 1.12" (293 x 175 x 28.5 mm)
Weight	0.6 Lbs (0.23 kg)
Working temperature	32 F ~ 140 F (0 C ~ 60 C)
Recommended Storage Temperature	Room temperature
Applicable Surface Type	Peak/valley heights less than 0.4" (10 mm)
Features	Patented technology design

Lifting Capacity:

Material	Glass	Metal	Wood	Rough Slate	Rough Concrete
Direction					
Perpendicular Hold 	375Lbs (170 kg)	308Lbs (140 kg)	220Lbs (100 kg)	176Lbs (80 kg)	176Lbs (80 kg)
Parallel Hold 	265Lbs (120 kg)	198Lbs (90 kg)	143Lbs (65 kg)	176Lbs (80 kg)	176Lbs (80 kg)

GRABO headquarters:

Eastern Commerce Center
6000 S Eastern Ave
Unit 9E
Las Vegas, Nevada, 89119

Info@GRABO.com

www.GRABO.com

Main Office:

+1 (844) 430-0510

Help & Warranty:

+1 (702) 718-2433

By Nemo Power Tools -
www.GRABO.com

